

Features

- Specifically designed for high performance and low-power envelope AI computing
- Additional driver to support Embedded peripheral modules for multiple I/O expansion capability
- On-board 1x HDMI, 2x CAN BUS and 2x Mini Card to support rich multimedia and MIPI CSI camera
- Extended temperature range -20°C to 70°C
- Suitable for general robotics, UAV, industrial inspection, medical imaging and deep learning
- 1x 12V output and 1x 5V output to support mPCIe extension module.

Specifications

Form Factor

- nano-ITX (120 x 120mm)

Support Module

- Nvidia Jetson TX2 Module (87 x 50mm)
- Nvidia Jetson TX1 Module (87 x 50mm)

I/O Interface

- 1x HDMI Type A
- 1x RJ-45 for GbE
- 2x USB3.0 Type A
- 1x USB2.0 Micro AB
- 1x Full-Mini Card (PCI Express x1 & USB2.0)
- 1x Full-Mini Card (PCI Express x1 or mSATA)
- 2x CAN BUS¹
- 1x Front Panel
- 1x MIPI CSI-2 (2 Lanes)
- 1x 4pin 12V output
- 1x 4pin 5V output
- 1x RS-232 / 1 x UART / 1 x I2C / 4 x GPIO
- 1 x DC-in 12V~19V

Operating Temperature

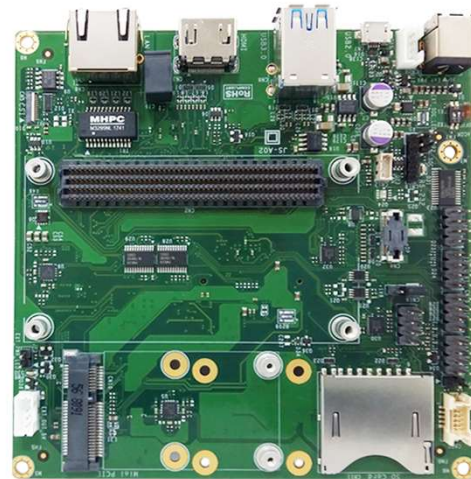
- 0°C ~ +55°C (Standard Version)
- -20°C ~ +70°C (Extended temperature)

Operating Humidity

- 10% ~ 90%

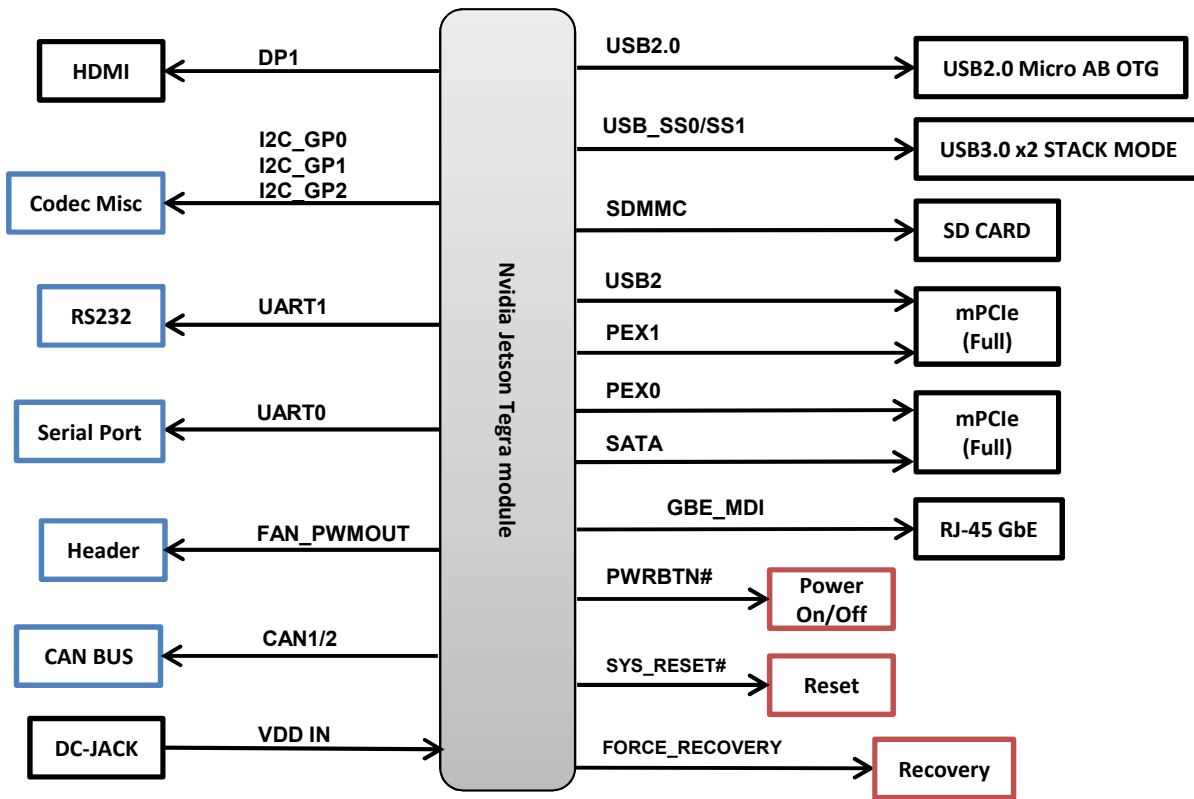
Storage Temperature

- -40°C ~ +125°C

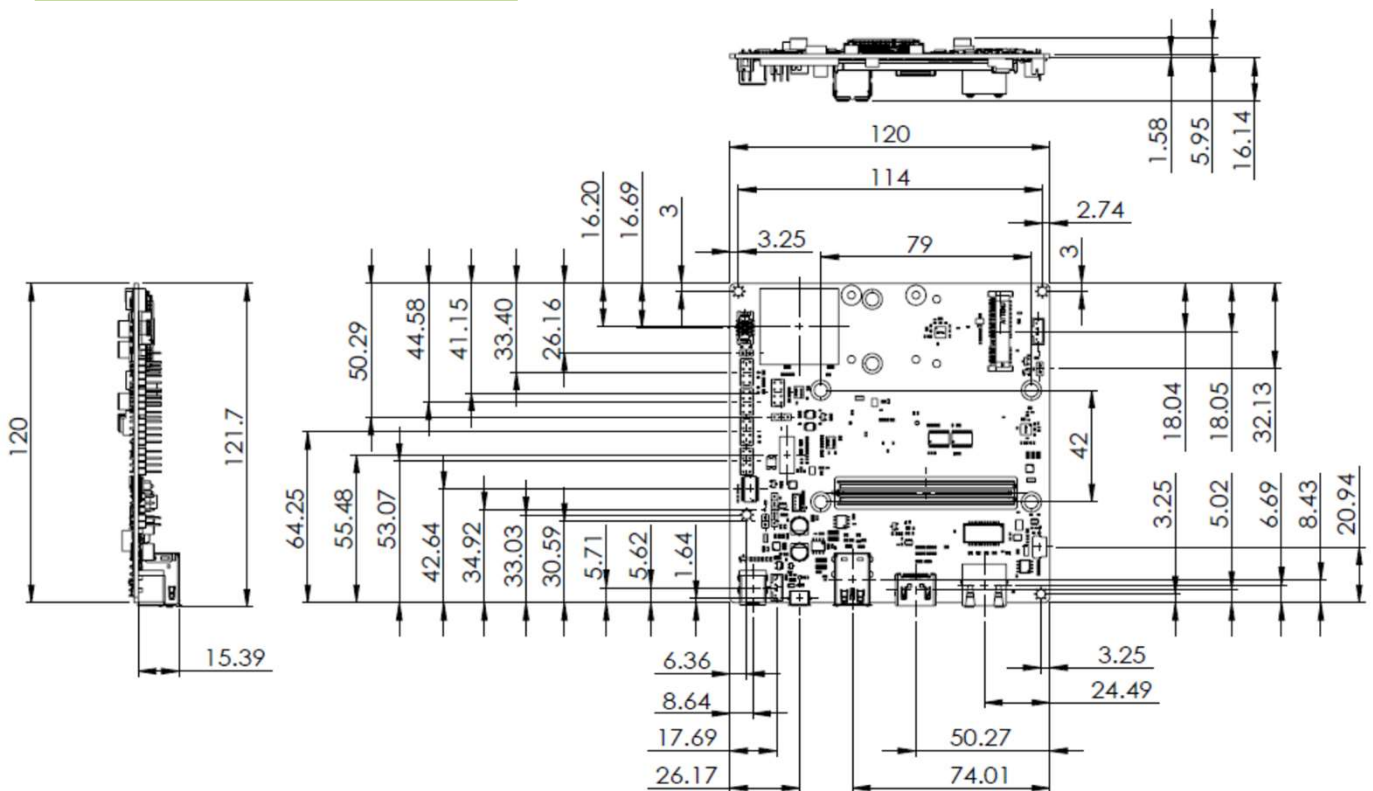


1. CAN BUS function only work on TX2. TX1 not support.

Block Diagram



Mechanical



Ordering Information

Product name	Description
ACE-N622	ACE-N622 Carrier, Standard temp 0°C to +55°C
ACE-N622-B	ACE-N622 Carrier, Wide temp -20°C to +70°C
AN622-TX1-NN01	ACE-N622 Carrier with Nvidia Jetson TX1 module, Standard temp 0°C to +55°C
AN622-TX1-BN01	ACE-N622 Carrier with Nvidia Jetson TX1 module, Wide temp -20°C to +70°C
AN622-TX1-NN02	ACE-N622 + TX1 Module + FAN + Cable Kit + Power Adapter and Power Cord 0°C to +55°C
AN622-TX1-BN02	ACE-N622 + TX1 Module + FAN + Cable Kit + Power Adapter and Power Cord -20~+70°C
AN622-TX2-NN01	ACE-N622 Carrier with Nvidia Jetson TX2 module, Standard temp 0°C to +55°C
AN622-TX2-BN01	ACE-N622 Carrier with Nvidia Jetson TX2 module, Wide temp -20°C to +70°C
AN622-TX2-NN02	ACE-N622 + TX2 Module + FAN + Cable Kit + Power Adapter and Power Cord 0°C to +55°C
AN622-TX2-BN02	ACE-N622 + TX2 Module + FAN + Cable Kit + Power Adapter and Power Cord -20~+70°C

Accessory (Optional)

7W9000000020	ACE-N622 Cable kit(CAN bus / 12V Output / 5V Output)
9Z1253232020	TX1/TX2 Active Heat Sink
9Z2XX4141010	TX1/TX2 Passive Heat Sink
7W8000000040	US Power Cord SVT 18AWG Cable 1800mm Black 105 °C
7W8000000050	EU Power Cord H05VV-F 0.75mm2/3G SL-6+SL-3 Cable 1800mm Black
9Z3BC0000020	100-240V 60W 12V 5A Adapter

Passive Heat Sink



Cable Kit



Active Heat Sink



12V/5A 60W Adapter

