

## Features

- Smallest design for Nvidia TX2/TX1
- Specifically designed for high performance and low-power envelope AI computing
- Extended temperature range -20°C to 70°C
- Suitable for general robotics, Drone, UAV, industrial inspection, medical imaging and deep learning

## Specifications

### Dimension

- 87 x 50mm

### Support Module

- Nvidia Jetson TX2 Module (87 x 50mm)
- Nvidia Jetson TX1 Module (87 x 50mm)

### I/O Interface

- 1x HDMI Type A
- 1x RJ-45 for GbE
- 2x USB3.0 Type A<sup>1</sup>
- 1x USB2.0 Micro AB
- 1x RS-232
- 2x CAN BUS<sup>2</sup>
- 1x Front Panel
- 4x GPIO
- 1x DC-in 12V (2 Pin Euroblock)

### Operating Temperature

- 0°C ~ +55°C (Standard Version)
- -20°C ~ +70°C (Extended temperature)

### Operating Humidity

- 10% ~ 90%

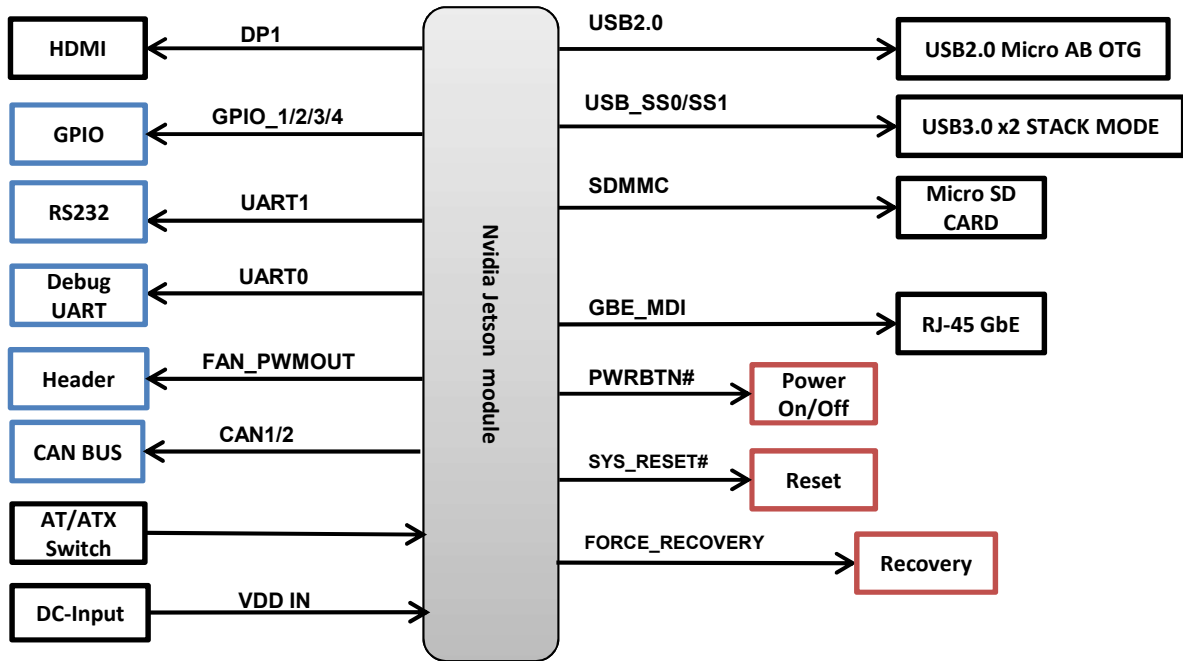
### Storage Temperature

- -40°C ~ +125°C

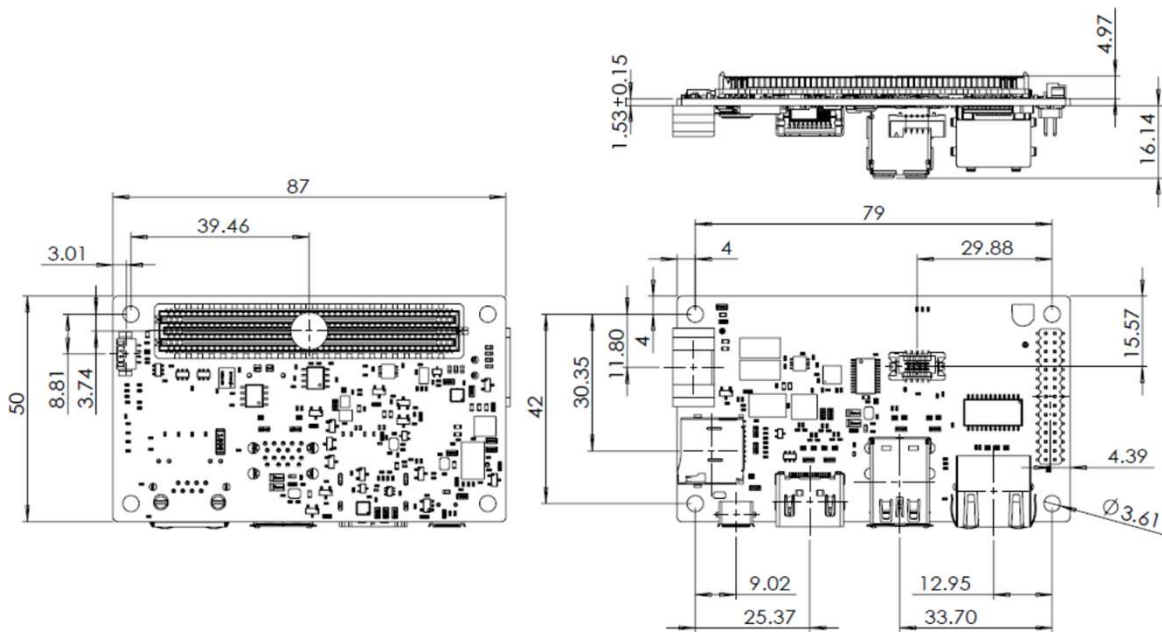


1. TX1 only support USB3.0 x 1 / USB2.0 x 1.
2. CAN BUS function only work on TX2. TX1 not support

## Block Diagram



## Mechanical



## Ordering Information

Product name	Description
ACE-N510	ACE-N510 Carrier, Standard temp 0°C to +55°C
ACE-N510-B	ACE-N510 Carrier, Wide temp -20°C to +70°C
AN510-TX1-NN01	ACE-N510 Carrier with Nvidia Jetson TX1 module, Standard temp 0°C to +55°C
AN510-TX1-BN01	ACE-N510 Carrier with Nvidia Jetson TX1 module, Wide temp -20°C to +70°C
AN510-TX1-NN02	ACE-N510 + TX1 Module + FAN + Cable Kit + Power Adapter and Power Cord 0~+55°C
AN510-TX1-BN02	ACE-N510 + TX1 Module + FAN + Cable Kit + Power Adapter and Power Cord -20~+70°C
AN510-TX2-NN01	ACE-N510 Carrier with Nvidia Jetson TX2 module, Standard temp 0°C to +55°C
AN510-TX2-BN01	ACE-N510 Carrier with Nvidia Jetson TX2 module, Wide temp -20°C to +70°C
AN510-TX2-NN02	ACE-N510 + TX2 Module + FAN + Cable Kit + Power Adapter and Power Cord 0°C to +55°C
AN510-TX2-BN02	ACE-N510 + TX2 Module + FAN + Cable Kit + Power Adapter and Power Cord -20~+70°C

## Accessory (Optional)

7W9000000010	ACE-N510 Cable kit(CAN bus / UART / RS232 / Front panel / GPIO)
9Z1253232020	TX1/TX2 Active Heat Sink
9Z2XX4141010	TX1/TX2 Passive Heat Sink
7W8000000040	US Power Cord SVT 18AWG Cable 1800mm Black 105 °C
7W8000000050	EU Power Cord H05VV-F 0.75mm2/3G SL-6+SL-3 Cable 1800mm Black
9Z3BC0000020	100-240V 60W 12V 5A Adapter

Passive Heat Sink



Cable Kit



Active Heat Sink



12V/5A 60W Adapter

